

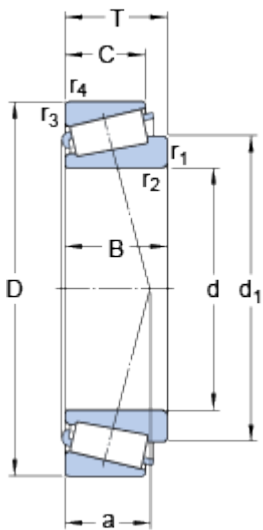
LM 603049/011

SKF Explorer

Dimension series

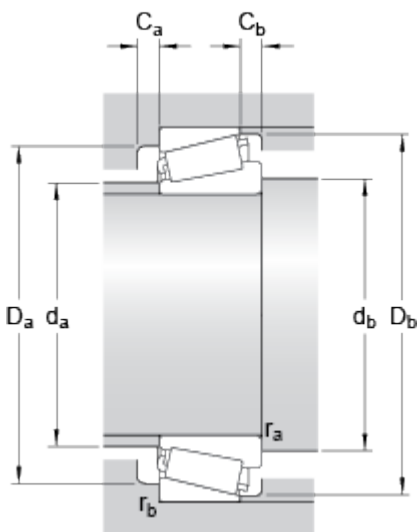
LM 603000

Dimensions



d	45.242	mm
D	77.788	mm
T	19.842	mm
d ₁	≈ 62	mm
B	19.842	mm
C	15.08	mm
r _{1,2}	min. 3.5	mm
r _{3,4}	min. 0.8	mm
a	17.068	mm

Abutment dimensions



d _a	max. 52	mm
d _b	min. 58	mm
D _a	min. 68	mm
D _a	max. 71.5	mm
D _b	min. 74	mm
C _a	min. 4	mm
C _b	min. 4.5	mm
r _a	max. 3.5	mm
r _b	max. 0.8	mm

Calculation data

Basic dynamic load rating	C	66.8	kN
Basic static load rating	C ₀	69.5	kN
Fatigue load limit	P _u	7.65	kN
Reference speed		7000	r/min
Limiting speed		8500	r/min
Calculation factor	e	0.43	
Calculation factor	Y	1.4	

Calculation factor

Y_0

0.8

Mass

Mass bearing

0.37

kg
